

GSM Gate, Barrier, Shutter, Garage Door and Door opener

Open gate or garage door with a FREE call from your mobile phone!

Remote switching machines with a FREE call from your mobile phone!

# GSM Gate Opener Remote Relay Switch



User Manual

Ver 2016

RTU5015

Date Issued: 2016-01-17

All rights reserved

## Applications:

- Remote open/close swing/sliding gates, doors, shutters, garage doors,locks with a free call!
- **Residential:** Door,gate,garage access control, electronic fan,microwave,air-conditioner control.
- **Industry:** Remote switch equipment, for example: street lights, solar power, motor, inverter, PLC, pumps, fans, etc.
- **Agriculture:** Remote control pumps, etc.
- **Business:** Remote control electronic boxes,bright billboards,LED signs,etc.

## Safety Directions



### Safe Startup

Do not use Gate Opener when using GSM equipment is prohibited or might bring disturbance or danger.



### Interference

All wireless equipment might interfere network signals of Gate Opener and influence its performance.



### Avoid Use at Gas Station

Do not use Gate Opener at a gas station. Power off Gate Opener when it near fuels or chemicals.



### Power it off near Blasting Places

Please follow relevant restrictive regulations. Avoid using the device in blasting places.



### Reasonable Use

Please install the product at suitable places as described in the product documentation. Avoid signal shielded by covering the mainframe.



### Use Qualified Maintenance Service

Maintenance can be carried out only by qualified maintainer.

## About RTU5015:

The GSM Gate Opener RTU5015 is a very simple device which can be used for authorized door access, controlling gates, switching of remote equipments. Actually the GSM Gate Opener RTU5015 can also be used in places where require turning ON/OFF your system, machines, equipments remotely with a FREE call from your mobile phone and protect your assets.


Just dial from Authorized User number then the Barrier and doors are opened, or the machine are turn on or off by the RTU5015.

There are no call costs, the GSM Gate Opener rejects the call from authorized number then carries out the turn ON/OFF action.

Moreover, the RTU5015 has 2 digital inputs for alarm inputs, when any one of the inputs triggered, will send SMS Alert to the owners immediately, in the meanwhile, the RTU5015 start the siren+ (DC12V) out for 10 seconds. This is very useful if you need protect your assets with low cost solution.

**Important about alarm input: It will be inhibited for 10 minutes after the relay is triggered by authorized phone dialing in.**

*The Device LEDs and terminal descriptions are the following:*

<b>Relay</b>	Relay Status, calling in, the relay will work, this LED Indicator will on. When the wired sensor triggered, the LED indicator will on, Otherwise, is off.
<b>GSM</b>	When insert the SIMcard into the Slot, will flash per0.5S with Orange color When registered GSM Network successful, will keep LED lit with Red color When calling in, the relay works, will flash per 0.5S with Green color
<b>Power</b>	External 12VDC Power LED indicator
<b>O1 +</b>	Output 1+, the relay rating is 3A/240VAC; connect to the switch of the lock or devices.
<b>O1 -</b>	Output 1 -, the relay rating is 3A/240VAC; connect to the switch of the lock or devices.
<b>Siren+</b>	Siren connector, connect to the Siren Positive.
<b>NA</b>	If need the siren start when the sensor triggered, must connect this connector with 12VDC connector. If not use the siren, then needn't connect it.
<b>12VDC</b>	Connect to the NA Point, when sensor triggered, will start the siren for <b>10</b> Seconds. Also, it can be connected to wired sensor to supply 12VDC power for sensors if need.
	Common, connect to Siren Negative, another wire of the two wired sensors.
<b>IN1+</b>	Digital input 1+, connect to one wire of the first wired sensor.
<b>IN2+</b>	Digital input 2+, connect to one wire of the second wired sensor.
<b>+12VDC</b>	The external power input. 12VDC, 1A.

## Quick Start to Use:

1. Insert the SIM card from the slide slot and connect the GSM antenna
2. Power on the device with DC12V and the "Power" Led will be lit
3. "GSM" Led will start to flash around 20 seconds, After it connected to GSM Net , then will keep lit
4. Use your mobile phone to call the SIM card number inside the device,if the device can reject your calling,that means the device is connected to the GSM net successfully.

The SMS commands used in the GSM Gate Opener are the following:

## 1. About password

### 1.1 Setup New Password (Only use Four digital number as the password)

**pwd#PWDnewpassword#PWDnewpassword#**

if successful, the unit will return: **PWD SETUP OK.**

For example, the Factory default password is **1234**, you want change it to 6666, then you can send the command: **1234#PWD6666#PWD6666#**

### 1.2 Reset the Password

If you want to reset to factory default, then please send "RESET" to it within 2 minutes after switch on the RTU5015. ( After 2 minutes working, the RTU5015 will not respond this command )

## 2. About Authorized numbers

### 2.1 Setup Authorized number

**pwd#TELAuthorized Number#Serial Number#**

E.g.: if you want to setup 63648495 as the first user number, and the password is 1234, then you can send

**1234#TEL63648495#001#** to the RTU5015 unit.

#### Tips:

1. the authorized number means the one who can dial the RTU5015 unit to open it.
2. We strongly recommend that the serial number of 01 and 02 are cellphone number, because the alarm message only send to the first and second position numbers;
3. The Serial Number is the position to store the authorized number, from 001~999.

### 2.2 Inquiry the Serial Number's Authorized number

**pwd#TELSerial Number?#**

E.g.: If you want to know the authorized number at position 2, and the password is 1234, then you can send

**1234#TEL002?#** to check it.

### 2.3 Search a Phone number in the RTU5015 memory

**pwd#FINDphone number#**

E.g.: If you forget which position of the number: **63648495**, then you can send **1234#FIND63648495#** to search it in the memory.

### 2.4 Remove the Authorized Number

**pwd#0000#Serial Number#**

E.g.: if you want to remove the authorized number at position 12, and the password is 1234, then you can send **1234#TEL#0000#012#**, then will overwrite the position with number "0000" to remove it

## 3. About system parameters

### 3.1 Working mode selection (security mode or free control mode)

**pwd#AU#** This command allows only the authorized numbers can access

**pwd#AA#** This command allows any numbers to call the SIM number to access

**pwd#AC?#** Check the setting of working mode

### 3.2 Setup the relay close time

**pwd#GOTTime#** The GOT parameters should be in 0~19 ( 0~9.5 seconds )

This command is used to setup the Relay working time when triggered. The relay closed time is half as the number you set, e.g.: if you set **1234#GOT19#**, means the relay closed  $19/2=9.5$  Seconds.

To check the value, you can use the command **pwd#GOT?#**, the unit will reply the current value.

If you want to let the relay works at switch mode, then you can set the time as 00

## 4. About Input alarm port

### 4.1 Disable the digital inputs

**pwd#DA#**

**Tips:** if you want to use the digital inputs, please enable it firstly.

### 4.2 Enable the digital inputs

**pwd#EA#**

**Tips:** if you enable the digital inputs function, the sensors will enter Armed status after 10minutes of the latest dial-in. in the first 10minutes, when the sensor triggered, will not alarm, after 10minutes, the unit in armed mode, when any sensor triggered, will start the siren (if you connected) or switch on the light(if you connect it) around 5 seconds and send SMS to the Position 01 and 02 authorized numbers immediately.

Siren+ output is DC12V output, it can't be controlled by SMS command.it only will be triggered around 5 seconds when alarm input triggered.

### 4.3 Inquiry Alarm Setting

**pwd#AL?**

Reply: **Alarm Inputs Disabled** or **Alarm Inputs Enabled**.

**Tips:** Alarm Inputs Disabled means disable the digital inputs, Alarm Inputs Enabled means Enable digital inputs.

### 4.4 Alarm input working mode selection

**pwd#M2#**

For M2 working mode, alarm would be triggered according to your KEYNO or KEYNC selection and send different alarm SMS according to your Alarm SMS Text Presetting

### 4.5 Modify the digital input type (Working for M2 mode)

**pwd#KEYNC#**

Modify the digital input type as NC; if the sensor you used with this unit is NC, then you should set the unit as NC type.

**pwd#KEYNO#**

Modify the digital input type as NO; if the sensor you used with this unit is NO, then you should set the unit as NO type.

### 4.6 Alarm SMS Text presetting

Predefined your customized SMS Text message for alarm In1 and In2

In1 Open Alarm Content:

**pwd#TEXT1Owsd1Openalarm#**

In1 Close Alarm Content:

**pwd#TEXT1Cwsd1Closealarm#**

In2 Open Alarm Content:

**pwd#TEXT2Owsd2Openalarm#**

In2 Close Alarm Content:

**pwd#TEXT2Cwsd2Closealarm#**

wsd1Openalarm, wsd1Closealarm, wsd2Openalarm, wsd2Closealarm are the Customized Message text to be sent when alarm happen

## 5. SMS Command to control the RELAY directly

**Tips:** Normally you can use the phone calling to control the device, but sometimes maybe you need to use the SMS to control the output with a temporarily timer control or temporarily ON or OFF ,and you don't need to change the device setting.

**pwd#ON#**

**pwd#OFF#**

**pwd#TOGXXX#**

(For example, you send " **1234#TOG10#** ", then Output will be triggered to ON for 10 seconds)

## 6. About Customized SMS Command

**Tips:** Even you can use the phone calling to control the device, but sometimes maybe you want to ask other person to use the SMS to control the output, but you don't want to give others the password. Then you can setup a customized SMS command for them to use

(Only authorized numbers can use the Customized SMS command to control the output)

**Customize Relay Output ON Command:** `pwd#ON-TEXT=XXXXXX`

**Customize Relay Output OFF Command:** `pwd#OFF-TEXT=XXXXX`

**Customize Relay Output Timer Control:** `pwd#TOG-TEXT=XXXXX`

E.g.: If you can setup the Timer control command: `1234#TOG=asm#`, then the authorized numbers can only send SMS: `asm`, device will be triggered with the GOT timer, and if want to trigger the output with a temporarily Timer, then just send "`asm=20`", the output will be triggered for 10 seconds

**For customized SMS command, no need to put the password in front of the Text.**

**If you forget the SMS text, then use the command to check it:**

`pwd#QUE-TEST?`

Reply SMS from device: ON-TEXT=won, OFF-TEXT=woff, TOG-TEXT=asm

## 7. About the device Activation Confirmation

For RTU5015 Standard version, that Report is limited to the relay status change

`pwd#N#` When device change, no report

`pwd#R#` When device change, will send the SMS report to TEL01 and TEL02

To check the settings, you can use the command:

`pwd#M?` it will return: **Relay action return SMS ON or Relay action return SMS OFF.**

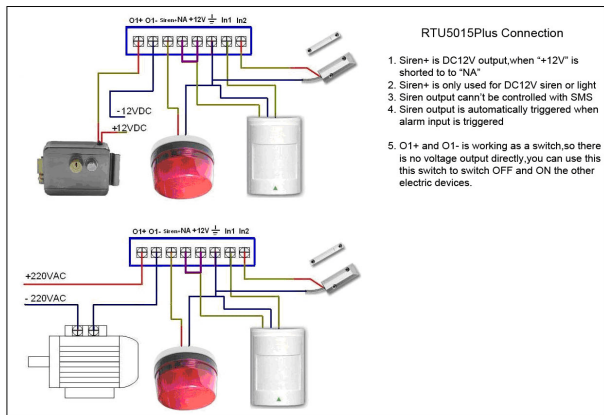
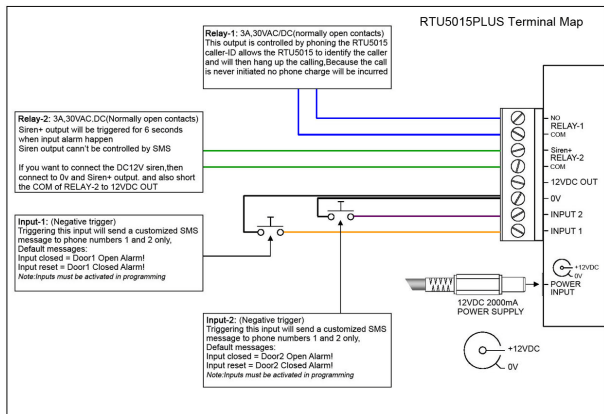
## 8. Read the device status and the parameters

For RTU5015 you can use one SMS command to check the device information

`pwd#STATUS?#`

Device will reply as:

DEVICE:ACM=ON,RELAY=ON,RELAY=MODE0,GOT=10S,CSQ=27,OUT=00



## CUSTOMER SERVICE COMMITMENT

*Thank you for purchasing our products:*



After you get the device, please try to install and test it according to this manual



Any other questions about the products, please contact us



Please call our service phone number: 0086-21-68458945



Contact us through the service email: [wafer@waferstar.com](mailto:wafer@waferstar.com)



Contact our online service skype for fast help: wafer-service



Fast sample order, Online store: <http://www.wafer-shopping.com>



Visit Company website for full products information: <http://www.waferstar.com>

## RTU5015



Android App



iPhone App